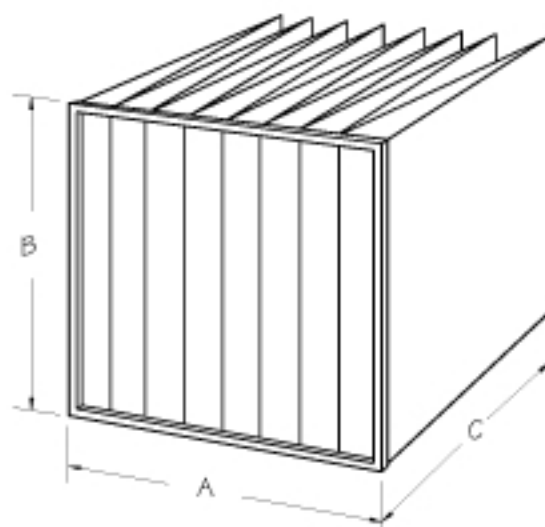


8 Pocket



**Reliable Air Flow
Bag, 95%**

Characteristics

Media: 100% Synthetic Polypropylene Microfiber

Pockets: Ultrasonically Welded Seams & Edges

Pocket Flutes: Ultrasonically Welded Support Spacers

Header: Electro-Galvanized Metal Header and "J" Style Media Retainers

Air Flow Bag 95%-8 Pocket

Model Number	Width "A"	Height "B"	Depth "C"	Number of Pockets	Air Flow Capacity (cfm)	Initial Resistance ("w.g.)
AFB895S-4430	23-3/8"	23-3/8"	30"	8	2000	.44
AFB895S-4426	23-3/8"	23-3/8"	26"	8	1500	.37
AFB895S-4422	23-3/8"	23-3/8"	22"	8	1500	.39
AFB895S-4415	23-3/8"	23-3/8"	15"	8	1000	.44
AFB695S-0430	19-3/8"	23-3/8"	30"	6	1500	.44
AFB695S-0426	19-3/8"	23-3/8"	26"	6	1125	.37
AFB695S-0422	19-3/8"	23-3/8"	22"	6	1125	.39
AFB695S-0415	19-3/8"	23-3/8"	15"	6	750	.44
AFB495S-2430	11-3/8"	23-3/8"	30"	4	1000	.44
AFB495S-2426	11-3/8"	23-3/8"	26"	4	750	.37
AFB495S-2422	11-3/8"	23-3/8"	22"	4	750	.39
AFB495S-2415	11-3/8"	23-3/8"	15"	4	500	.44

Notes:

Standard: UL 900, Class 2

Available with the following
gasketing options:

GU - Gasket Upstream

GD - Gasket Downstream

GS - Gasket Sides

Other Options:

C - Cambridge Header

-1 - UL 900, Class 1

An example of the part number
with options is: AFB895S-4430GU

DAYTON RELIABLE AIR FILTER

**2294 N. Moraine Dr.
Dayton, Ohio 45439
1-800-699-0747**



Air Flow Bag 95%, MERV 14
8 Pocket

Date	Part Number	Expiry
Approved	AFB895S	