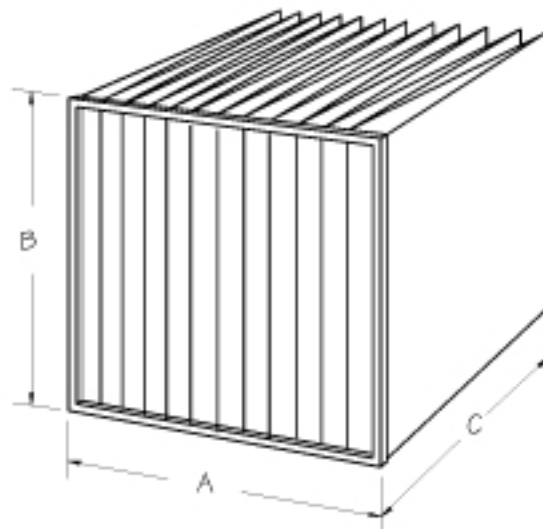


## 12 Pocket



**Reliable Air Flow  
Bag, 50%**

### Characteristics

Media: 100% Synthetic Polypropylene Microfiber

Pockets: Ultrasonically Welded Seams & Edges

Pocket Flutes: Ultrasonically Welded Support Spacers

Header: Electro-Galvanized Metal Header and "J" Style Media Retainers

### Air Flow Bag 50% - 12 Pocket

Model Number	Width "A"	Height "B"	Depth "C"	Number of Pockets	Air Flow Capacity (cfm)	Initial Resistance ("w.g.)
AFB1250S-4415	23-3/8"	23-3/8"	15"	12	1500	.16
AFB1050S-0415	19-3/8"	23-3/8"	15"	10	1250	.16
AFB1050S-0015	19-3/8"	19-3/8"	15"	10	1000	.16
AFB650S-2415	11-3/8"	23-3/8"	15"	6	750	.16

### Notes:

Standard: UL 900, Class 2

Available with the following  
gasketing options:

- GU - Gasket Upstream
- GD - Gasket Downstream
- GS - Gasket Sides

### Other Options:

- C - Cambridge Header
- 1 - UL 900, Class 1

An example of the part number  
with options is: AFB1250S-4415GU

## DAYTON RELIABLE AIR FILTER

**2294 N. Moraine Dr.  
Dayton, Ohio 45439  
1-800-699-0747**



Air Flow Bag 50%, MERV 10,  
12 Pocket

Date	Part Number	Revision
Approved	AFB1250S	