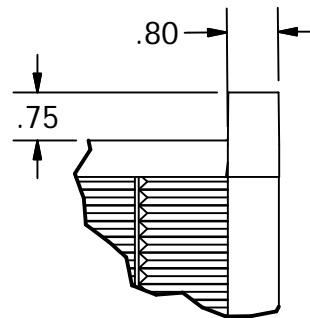
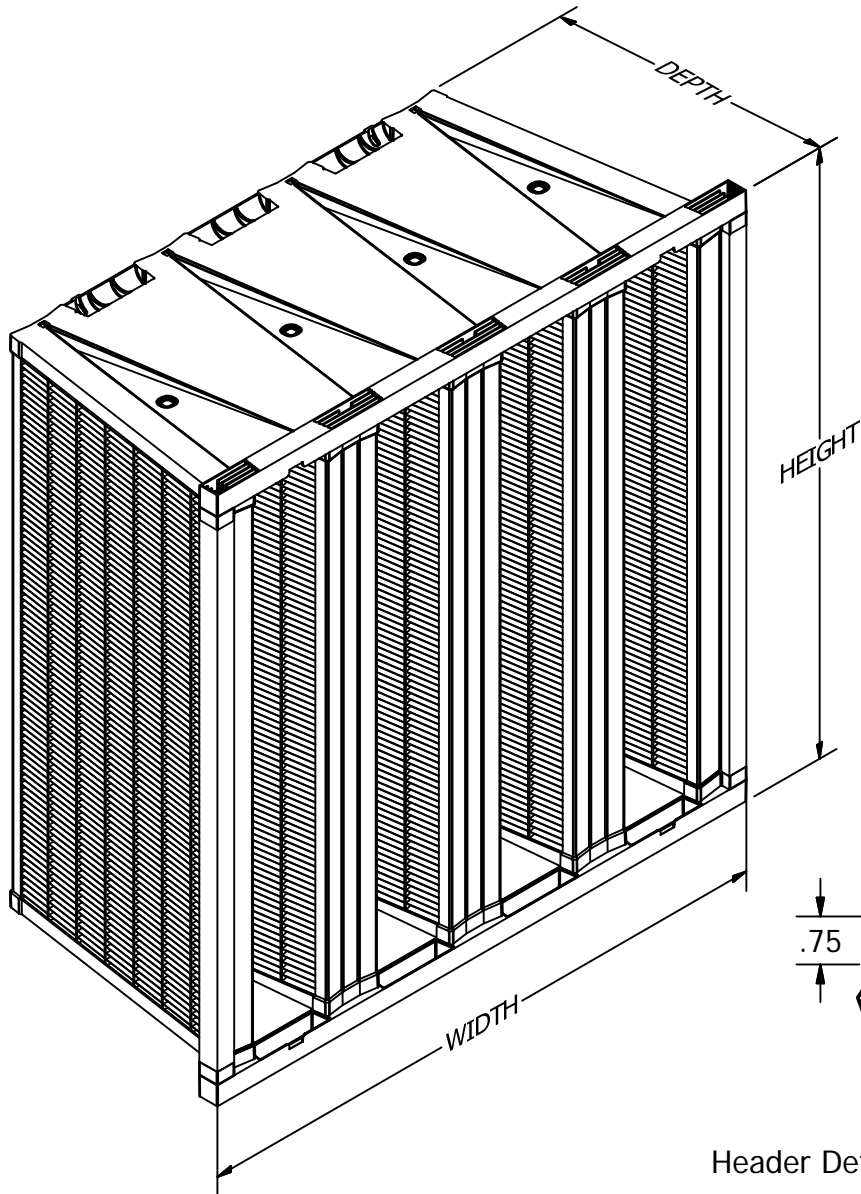


Model Number	Size (Nominal)	Height (Act.)	Width (Act.)	Depth (Act.)	Rated Airflow	Filter Resistance (inWc)	Filter Efficiency (MERV)
V16A8-2412	12x24x12	11 3/8	23 3/8	11 1/2	1000	0.25	16/16A
V16A8-0412	20x24x12	19 3/8	23 3/8	11 1/2	1670	0.25	16/16A
V16A8-4412	24x24x12	23 3/8	23 3/8	11 1/2	2000	0.25	16/16A



Header Detail

Performance Notes:

1. Testing per ASHRAE 52.2-2007 (Includes App. J)
2. Final recommended resistance 1.5" W.G.
3. Rated Velocity 500 fpm, Max velocity 650 fpm
4. Maximum operating temperature: 160° F
5. Rated for flammability per UL 900

Standard Construction

1. Dual density filtration media
Media Area by size:
12x24: 60 SF
20x24: 110 SF
24x24: 135 SF
2. Glue bead separated pleat construction
3. Molded plastic frame
4. Pleat edges captured in a sealing adhesive
5. Special sizes not available
6. Four, Pre-Filter clip locations on face of filter
7. Molded Handles on Downstream side of filter
8. 4 Spring clip mounting holes on downstream side of filter
9. Solid header surfaces Upstream, Downstream and Side-to-Side

Optional construction

1. Gasket options available
1/2" wide x 3/8" thick foam gasket
Application options:
Upstream (4 pieces)
Downstream (4 pieces)
Sides (1 or 2 pieces)

THIS DOCUMENT, AND ALL INFORMATION WITHIN IT, IS THE PROPRIETARY PROPERTY OF COLUMBUS INDUSTRIES INC. (CI). IT IS CONFIDENTIAL AND ANY REPRODUCTION OR DISCLOSURE OF IT IS FORBIDDEN WITHOUT WRITTEN PERMISSION FROM CI. THE ORIGINAL AND ANY PERMITTED COPIES OF THIS DOCUMENT MUST BE RETURNED UPON THE WRITTEN REQUEST OF CI.

PROJECT		D1492					
REV	DATE	DESCRIPTION				INT	
UNSPEC DIM TOL		SCALE	DWN	TITLE	DATE	SIZE	
DEC .XX	± n/a	n/a	R Baldinger	Micro Sheild 4V V-Cell	4/21/14	A	
DEC .XXX	± n/a						
FRACTIONAL	± n/a	PLOT	CHK		DWG	REV	
ANGULAR	± n/a				C13022400	00	